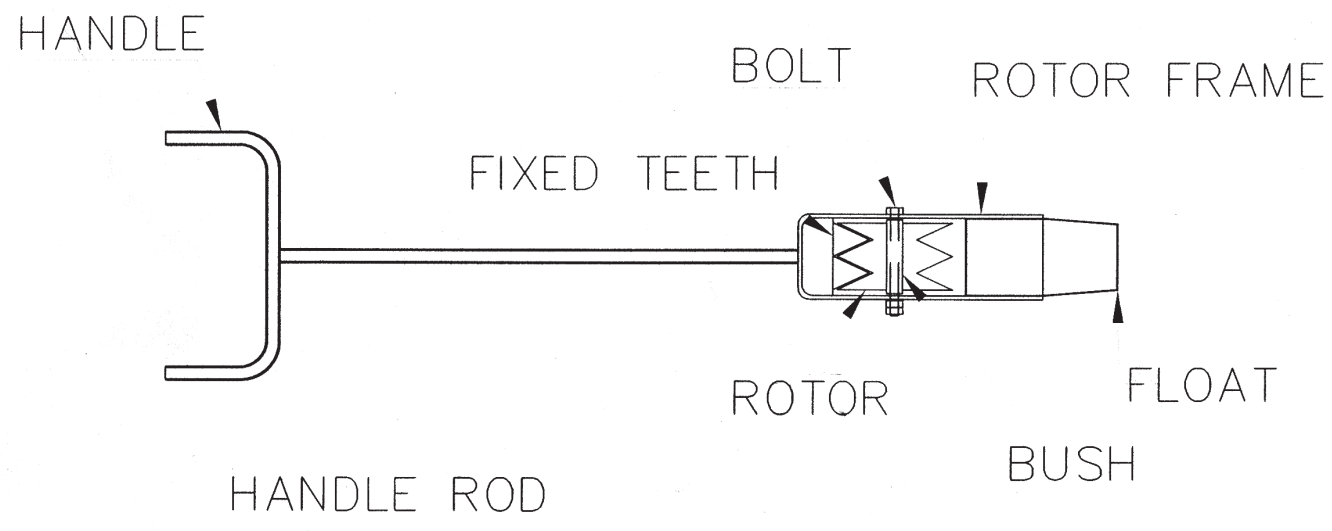


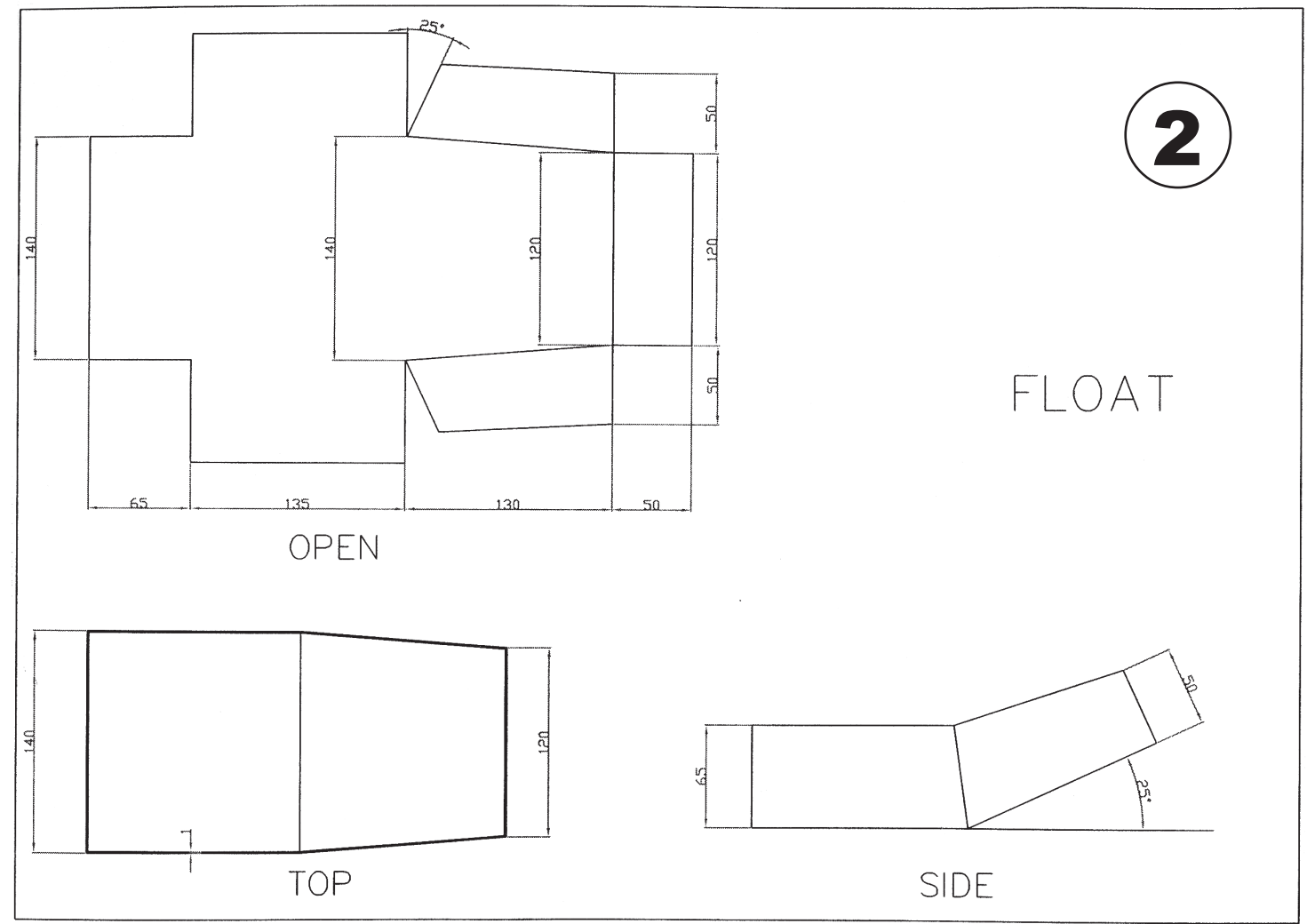
MANDAVA - Single Row Weeder

Parts



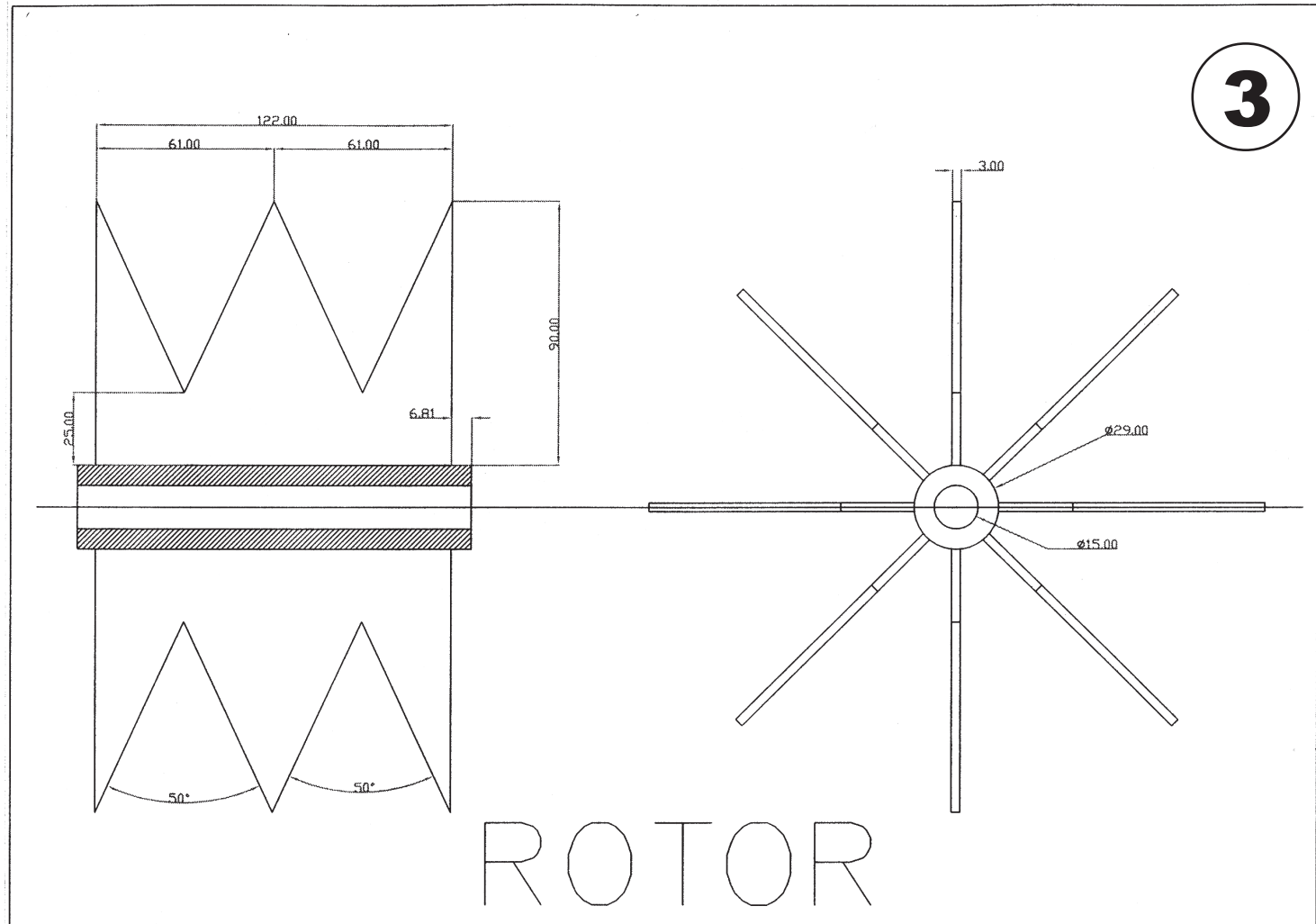
All measurements in mm

1



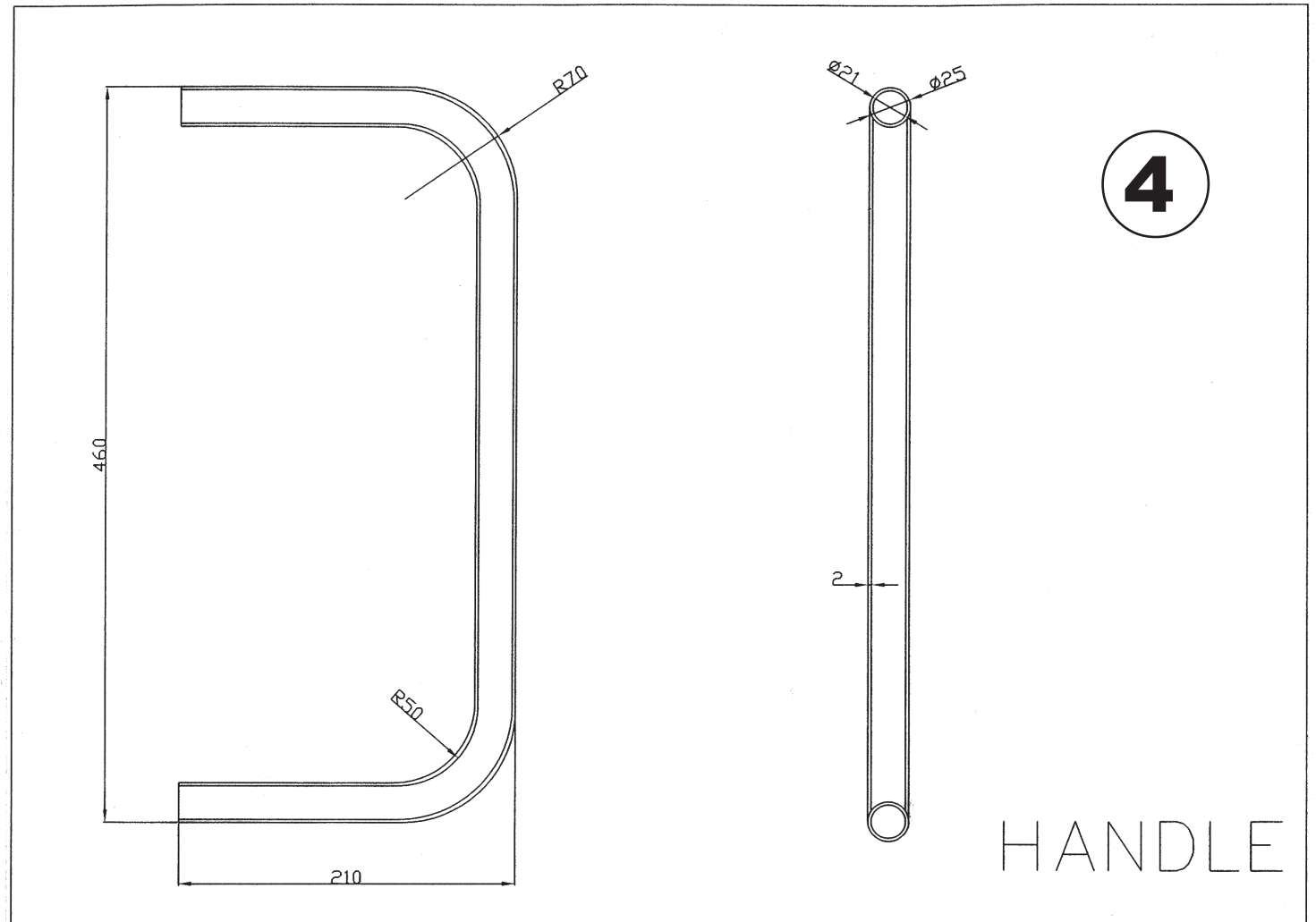
FLOAT

2



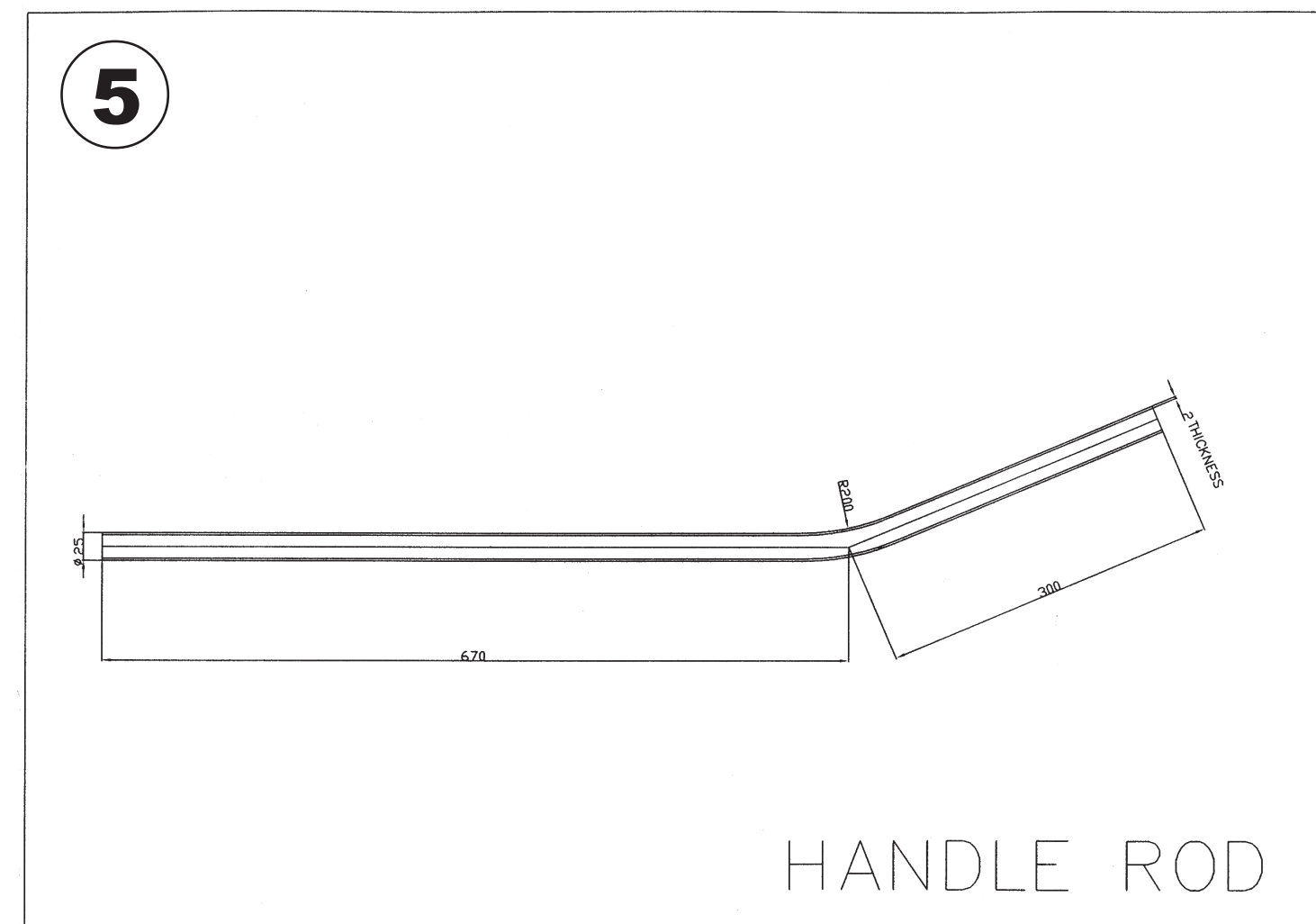
ROTOR

3



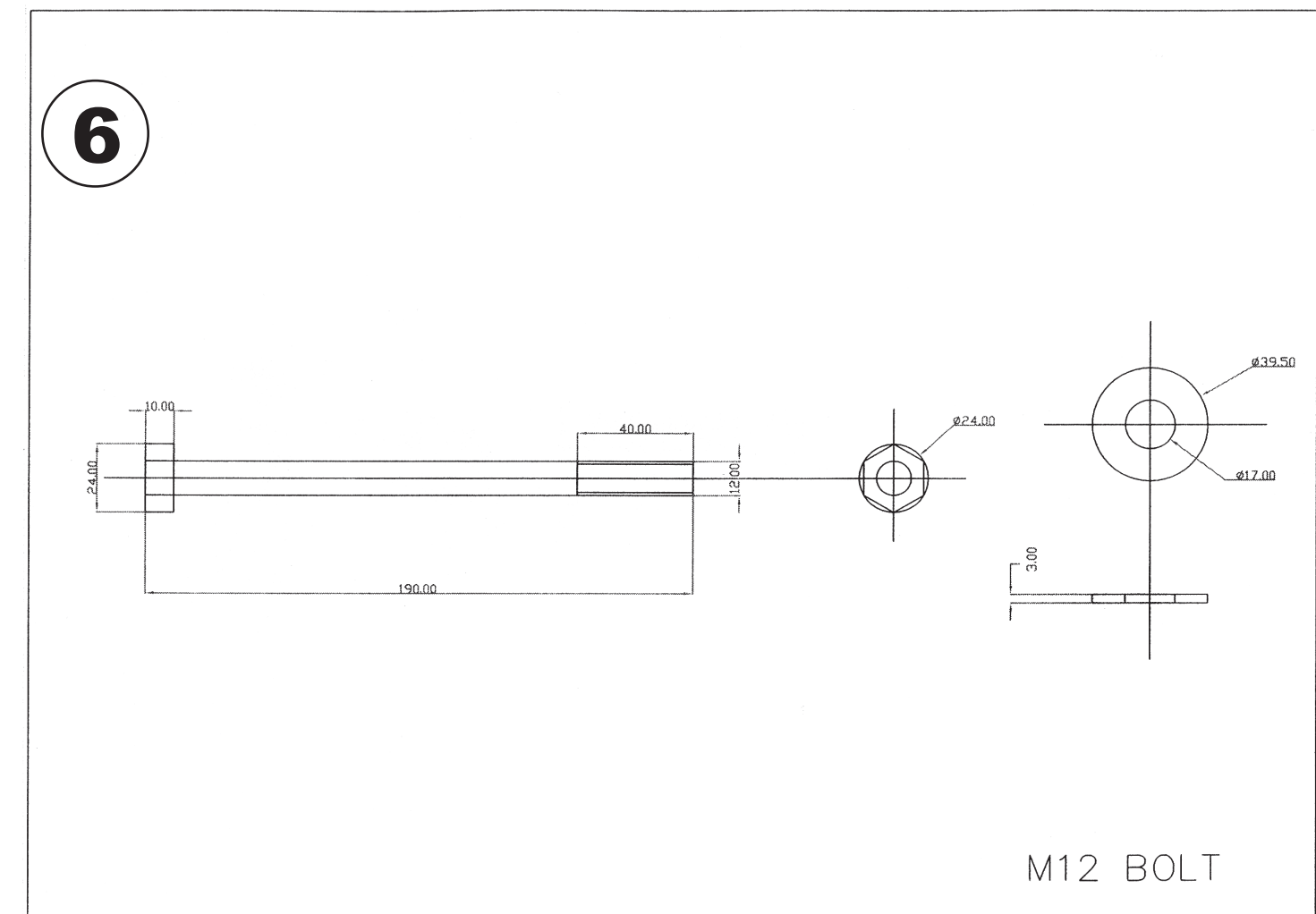
HANDLE

4



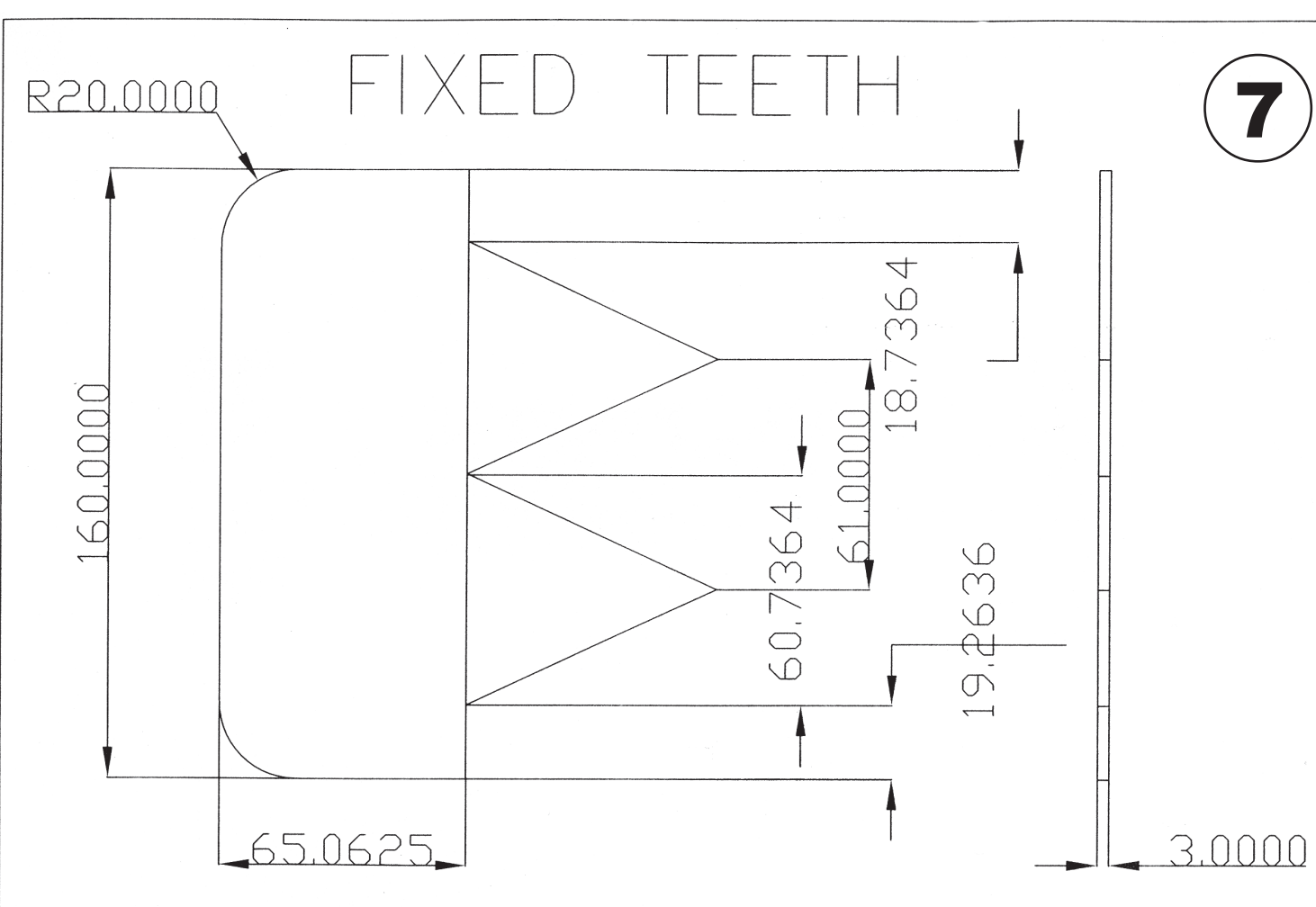
HANDLE ROD

5



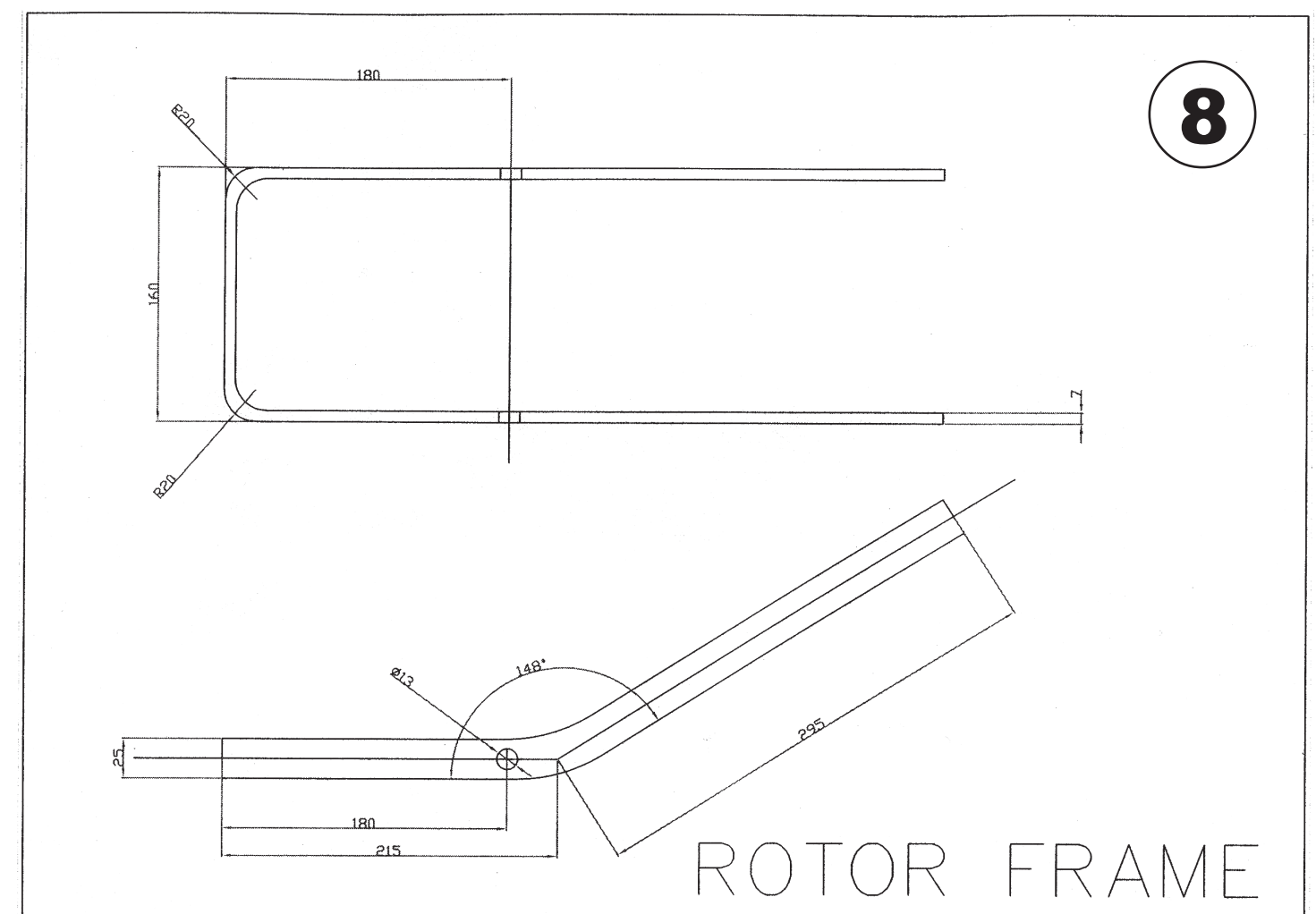
M12 BOLT

6



FIXED TEETH

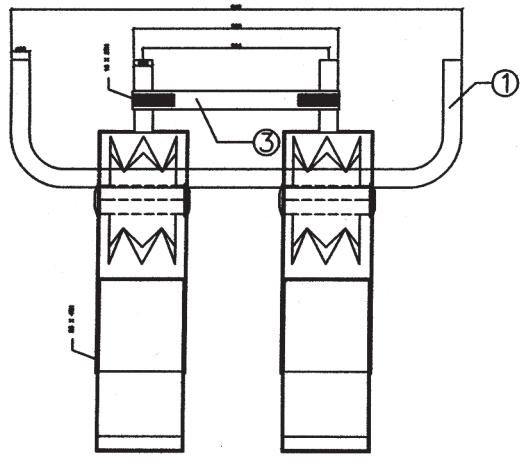
7



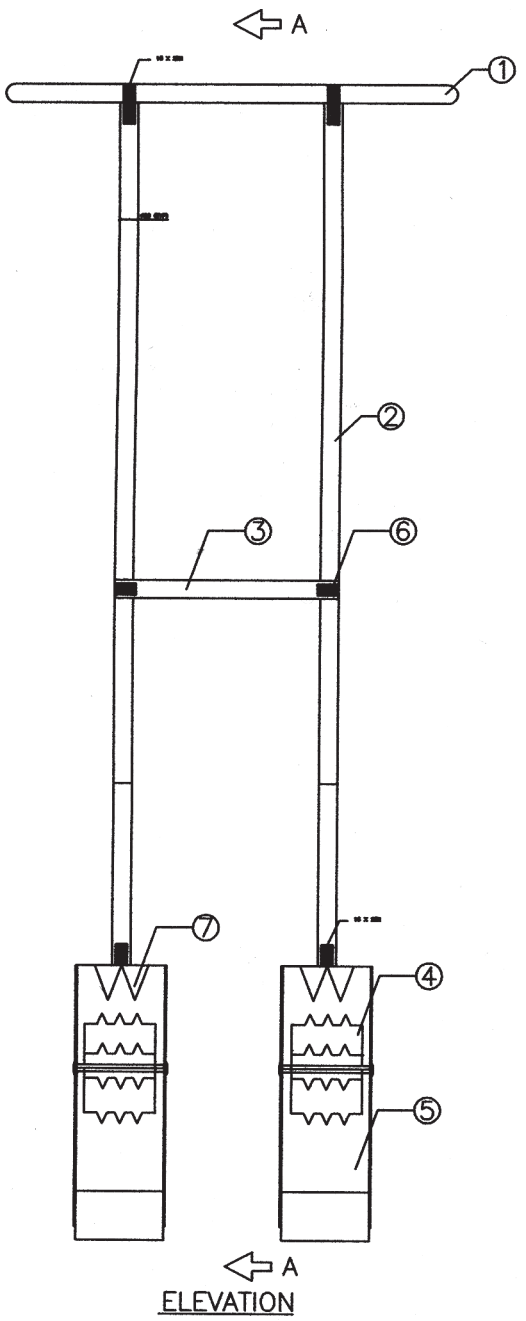
ROTOR FRAME

8

MANDAVA Double Row Weeder



PLAN



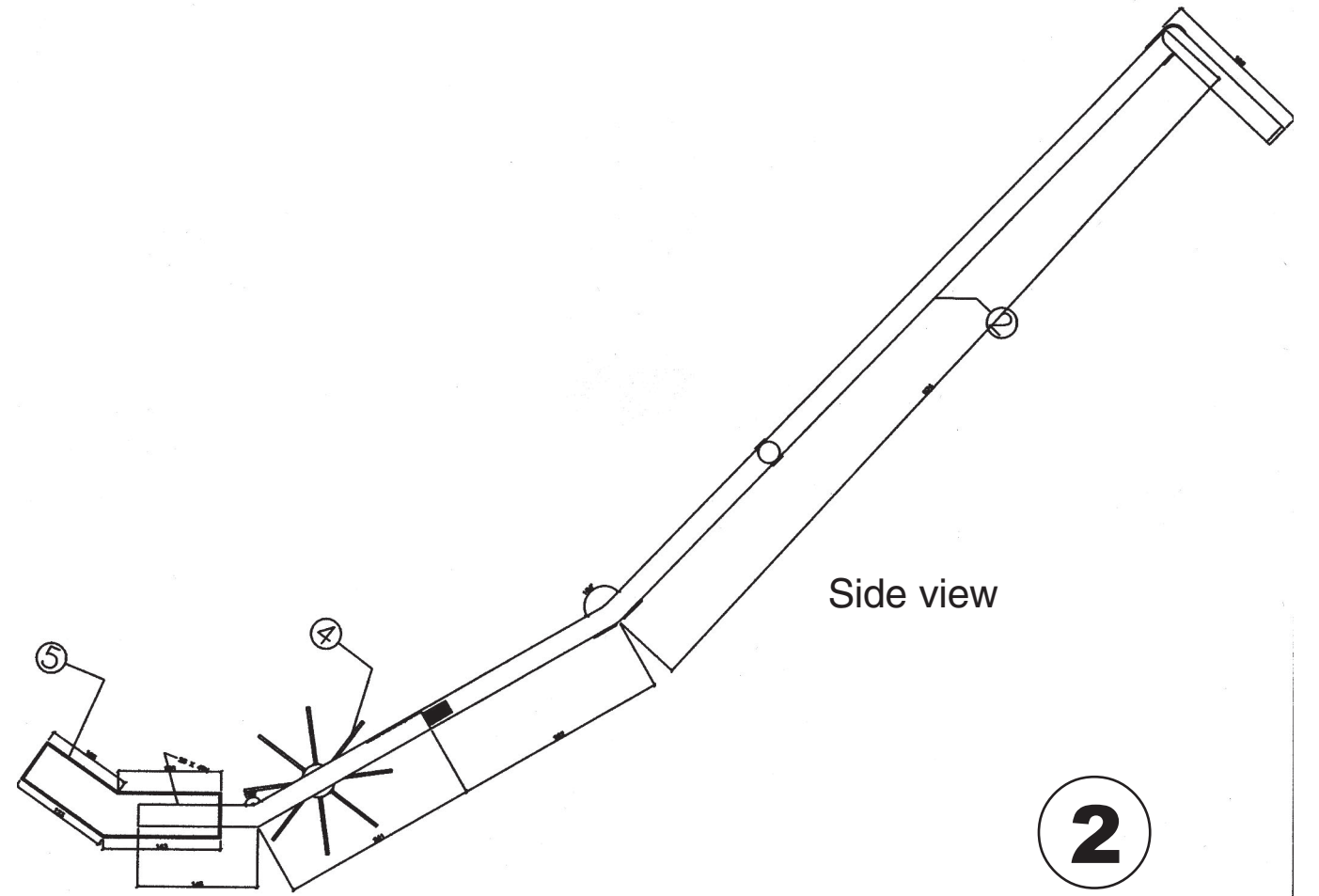
ELEVATION

1

PARTS

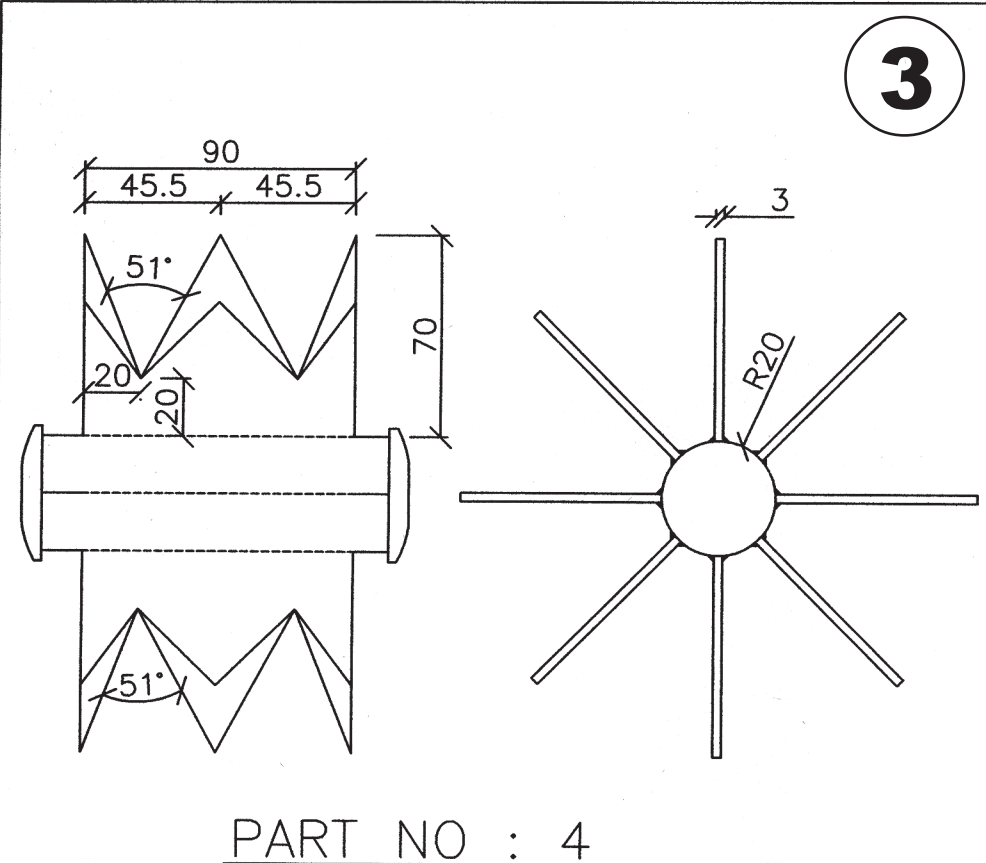
- 1 - Handle
- 2 - Angled Rod
- 3 - Connecting Rod
- 4 - Toothed Wheel
- 5 - Float
- 6 - Fixed Teeth

All measurements in mm

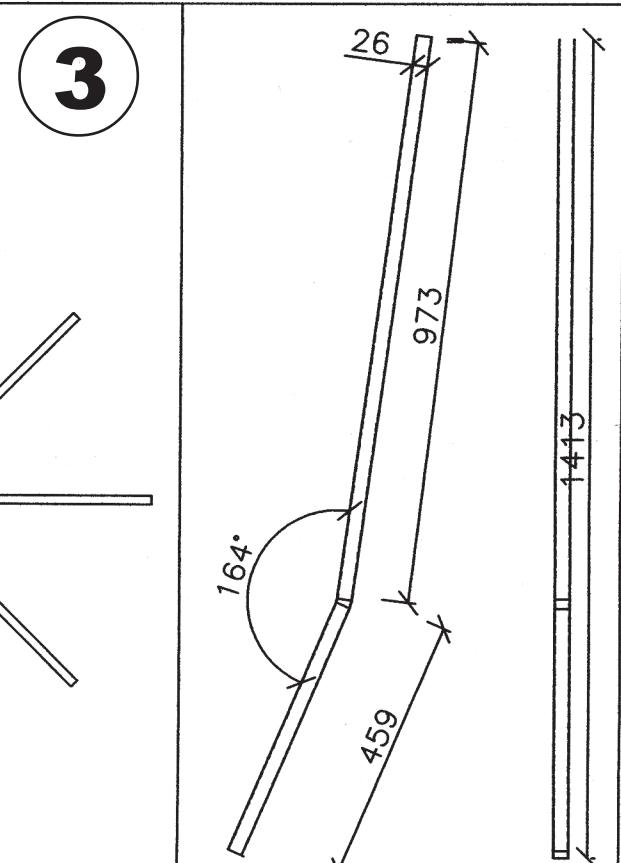


Side view

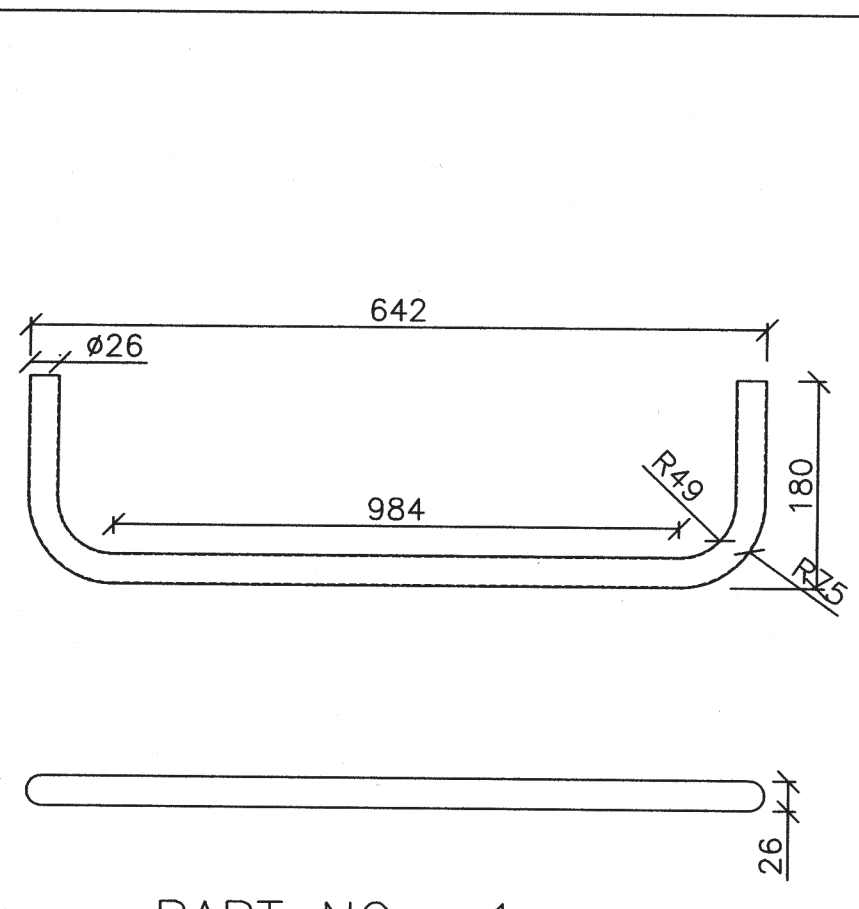
2



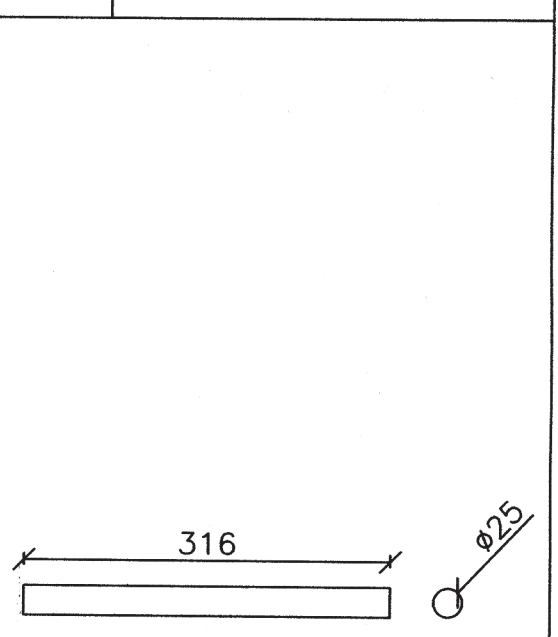
PART NO : 4



PART NO : 2

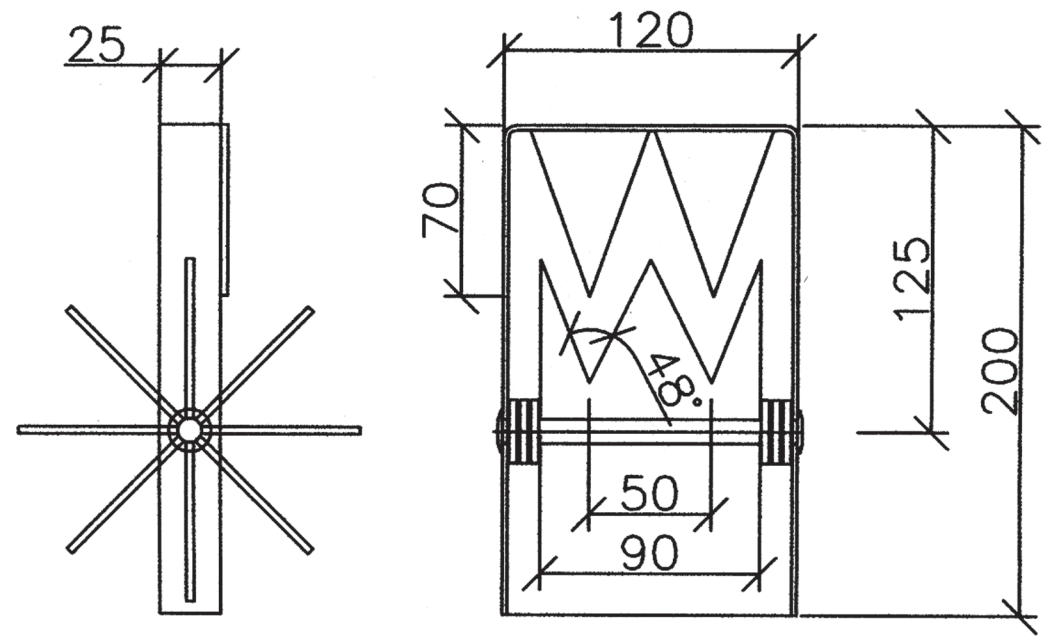


PART NO : 1

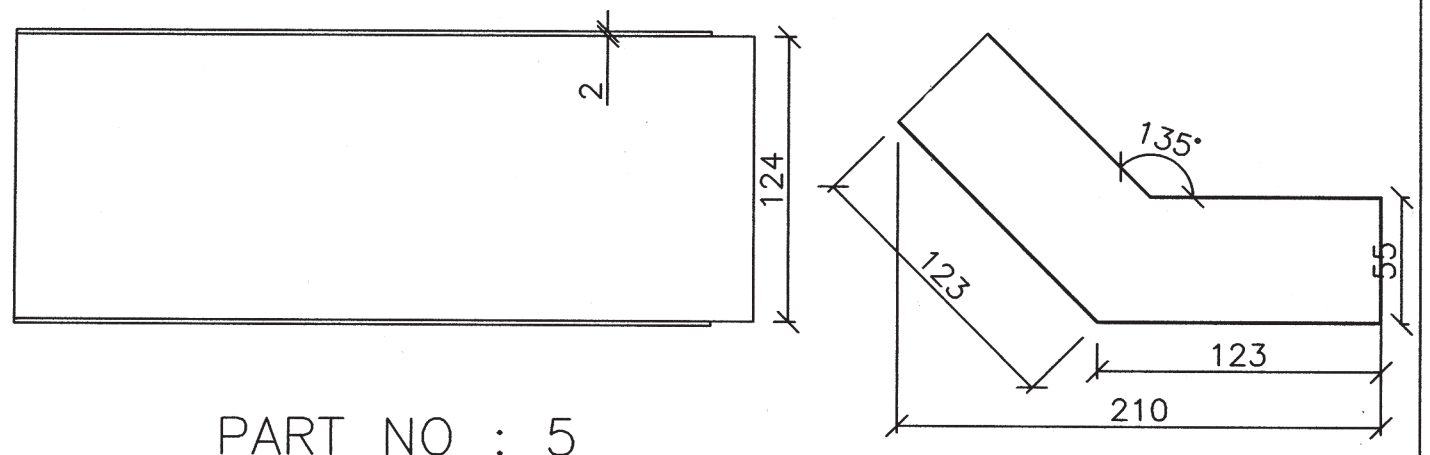


PART NO : 3

PART NO : 6



4



PART NO : 5